

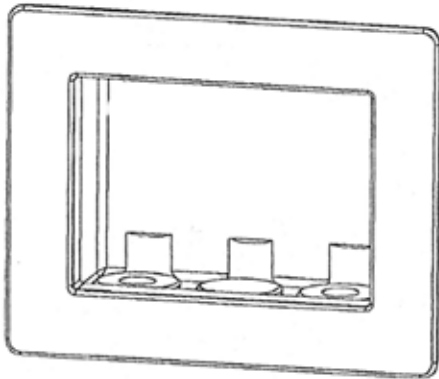


**Precision Plumbing Products**

*"Specify with Confidence - Install with Pride"*

**FIRERATED LAUNDRY BOX INSTALLATION INSTRUCTIONS**

www.pppinc.net



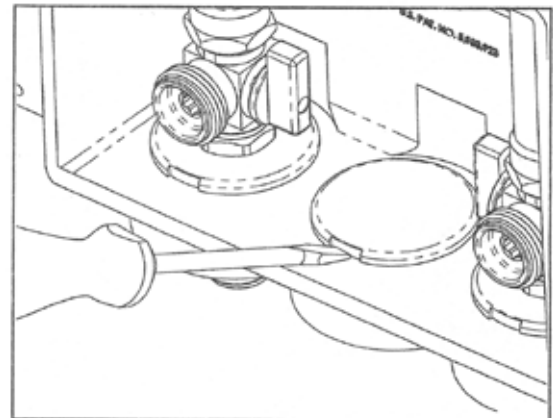
**Read all instructions carefully before installing.**

**Included Parts**

- |                     |                          |
|---------------------|--------------------------|
| 1 Outlet Box        | 1 Hot Water Supply Valve |
| 1 Faceplate         | 1 Hot Water Supply Valve |
| 4 Mounting Brackets | 2 Valve Locknuts         |
| 1 Intumescent Pad   | 1 Instruction Sheet      |

**Installation:**

1. Clip the mounting brackets into the box. Position the box against the stud at the desired height<sup>1</sup>.
2. Use four nails or screws on each side to secure the mounting brackets to the front side of studs.
3. Connect the valves to the supply lines. Solvent cement the ABS or PVC drainpipe into the appropriate slip joint following the cement manufacturers instructions.
4. Once the DWV system has been pressure tested, knockout the drain test cover using a hammer and screwdriver; then pull the test cap put using pliers. (Fig 1)
5. When installing drywall<sup>2</sup>, cut an 8-1/4" wide by 6-3/16" high opening to allow for the box. Any gap between the drywall and side of box must be filled with drywall compound.
6. Insert the faceplate into the box and press it flush with the drywall.



**\*\*Notes:**

1. Do not install two boxes back to back.
2. For a one or two hour fire rating, The Firerated Icemaker box must be installed in the corresponding Gypsum board. The wall cavity must have a minimum 3-1/2" cavity depth.
3. Store Fire Rated Icemaker Boxes in a cool, dry and protected place.
4. Assembly tested to ASTM E 814.
5. Product certified for both metal and wood studs.

**Precision Plumbing Products**

Division of JL Industries, Inc.



802 SE 199th Avenue  
Portland, Oregon 97233

T (503) 256-4010  
F (503) 253-8165

www.pppinc.net

